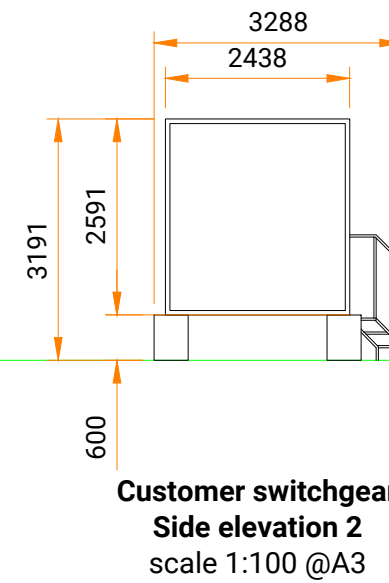
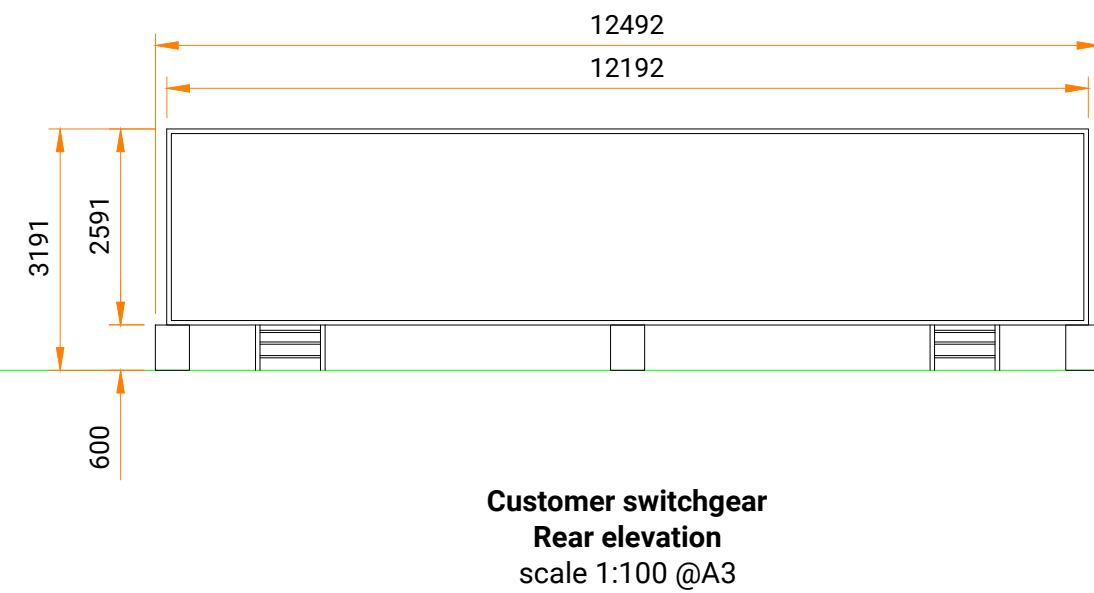
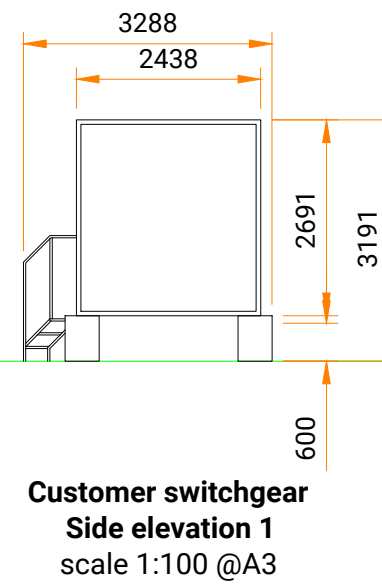
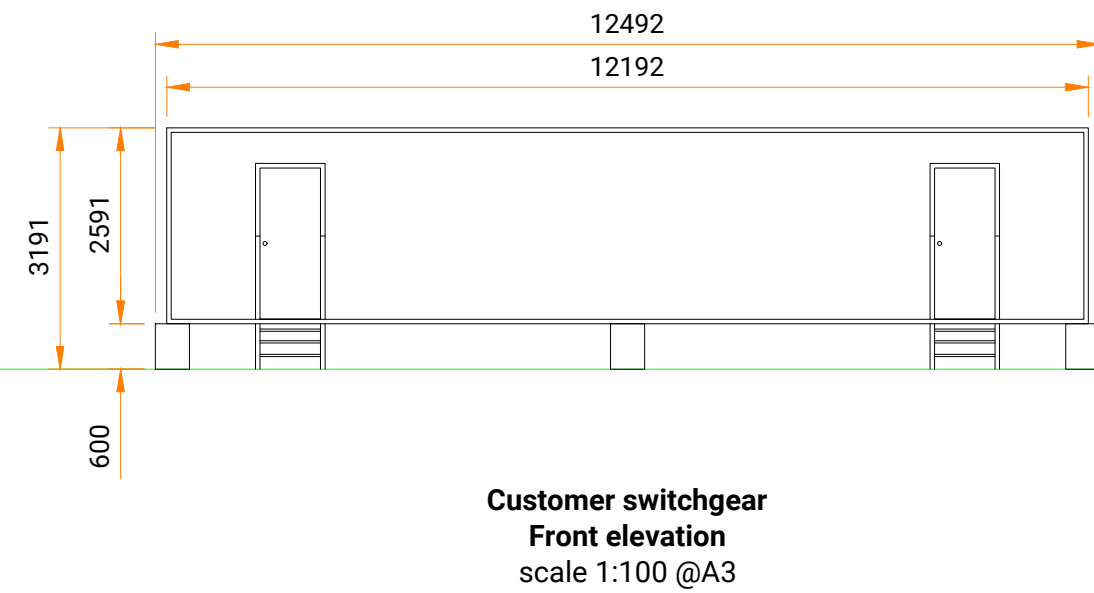
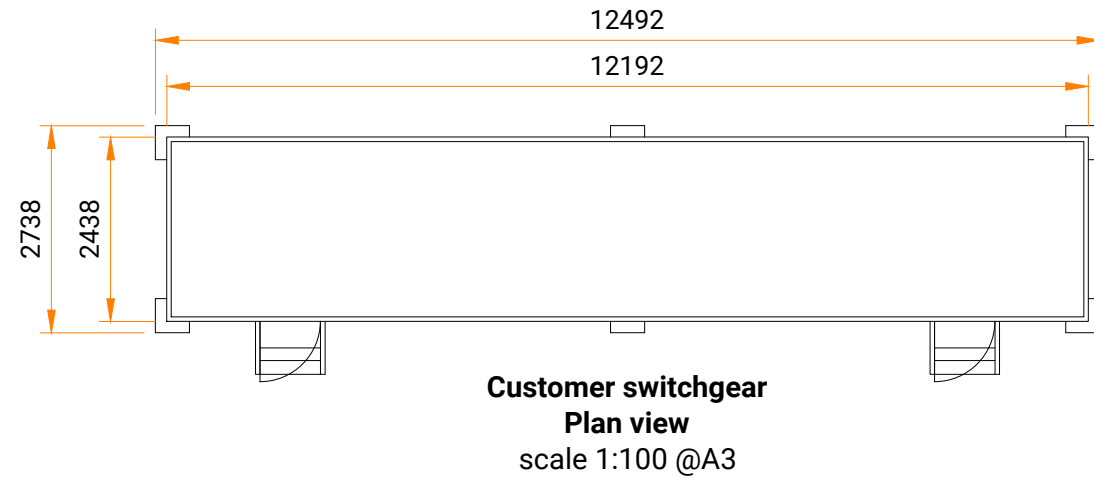


Notes:

1. All details are indicative only.



REVISIONS					
REV	DATE	COMMENTS	BY	CHKD	
A	21.05.20	Drawing number change	SS	CM	
-	16.03.20	First issue	SS	CM	



CLIENT	JBM Solar				
PROJECT	Halloughton Solar Farm				
LOCATION	Halloughton, Southwell, Nottinghamshire				
TITLE	Typical Customer Switchgear Details				
DWG NO	JBM-HALLOU-SD-07	REV	A		



Helioworks Limited is a limited company registered in England and Wales. Company Registration No. 10736605.
Registered Office: 85 Great Portland Street, First Floor, London W1W 7LJ.
This drawing or any part of it may not be reproduced without prior consent. Do not scale.
Always check dimensions on site. Always check you are viewing the latest version.